

Lockable Anti-Theft Tablet Wall Mount

Full Motion: Rotate, Fold, Swivel & Tilt



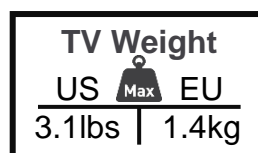
Black

**Black &
White**



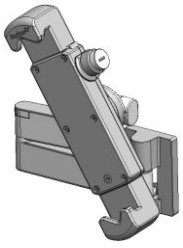

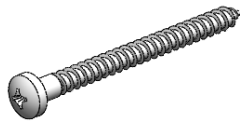
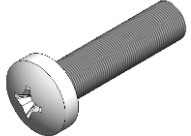


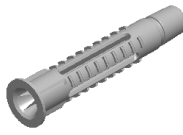


For more information: [barkanmounts.com](https://www.barkanmounts.com)

If you are satisfied with the product, please give us a 5 stars ★★★★★ rating on the website you bought it from. If you are not satisfied please contact us at <https://www.barkanmounts.com/support> and we will solve the problem for you.

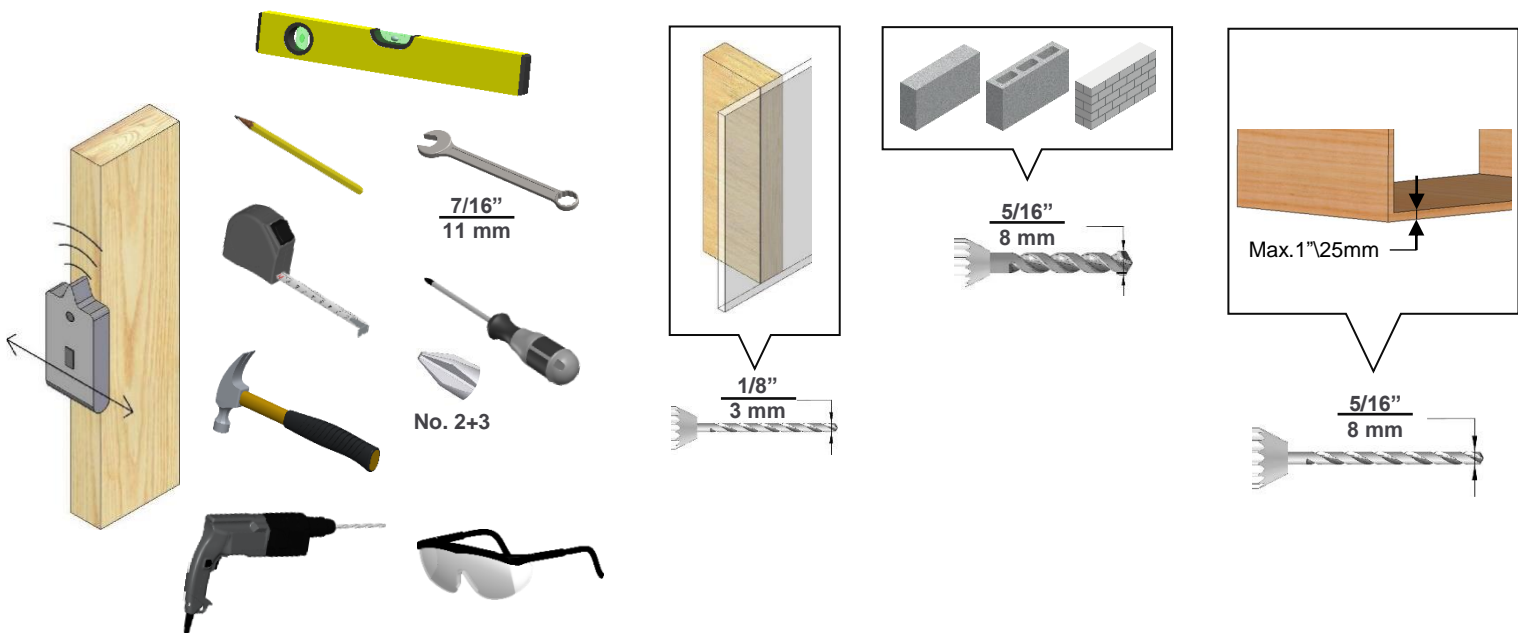


**Safety instructions and installation warnings (provided separately)
must be read in full, prior to assembly.**

Included Parts not to scale

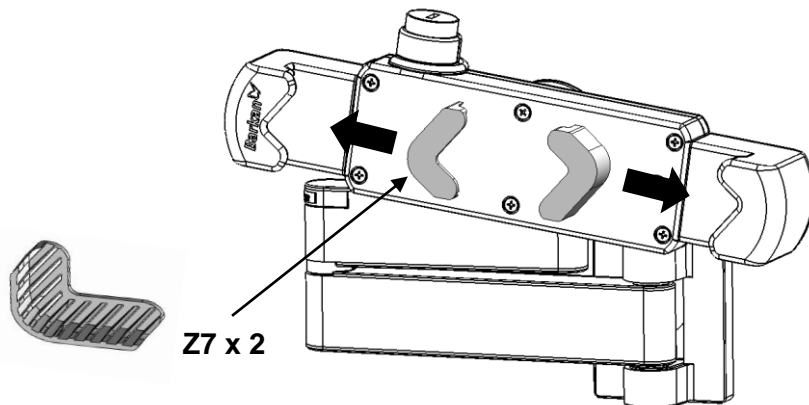
<p>A Bracket + clamp</p> 	<p>B Key</p>  <p>x2</p>	<p>Z1 Screw</p>  <p>x3</p>
<p>Z2 Bolt</p>  <p>x3</p>	<p>Z3 T-Nut</p>  <p>x3</p>	<p>Z4 Washer</p>  <p>x3</p>
<p>Z5 Anchor</p>  <p>x3</p>	<p>Z6 Allen key</p> 	<p>Z7 PVC pads</p>  <p>x2</p>

Required Tools



1

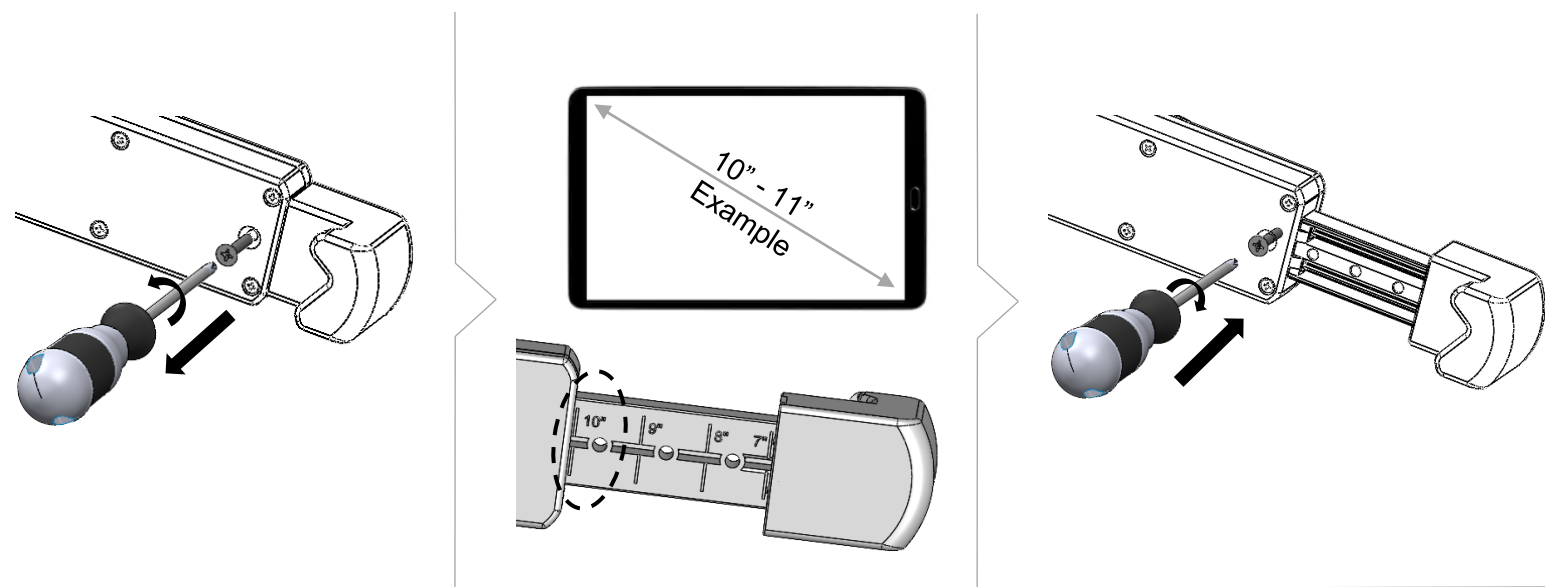
Place the PVC pads inside the clamp holders



2

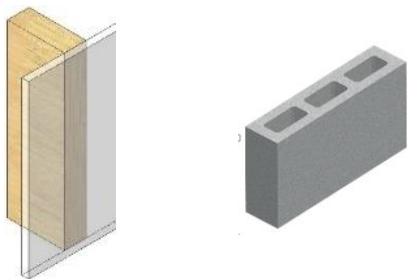
Loosen the screw, open the ruler on the back according to your device size and tighten the screw.

Example – for a device that is 10" to 11", open the ruler to 10"

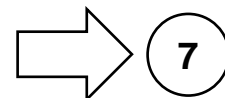


3

Installation on a wall



Installation on the underside of a cabinet.



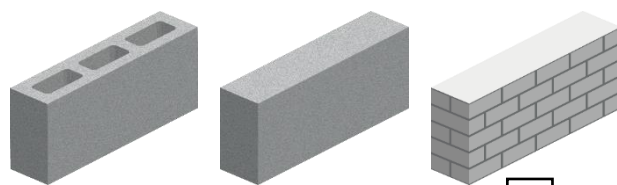
4

Follow the steps according to your wall type

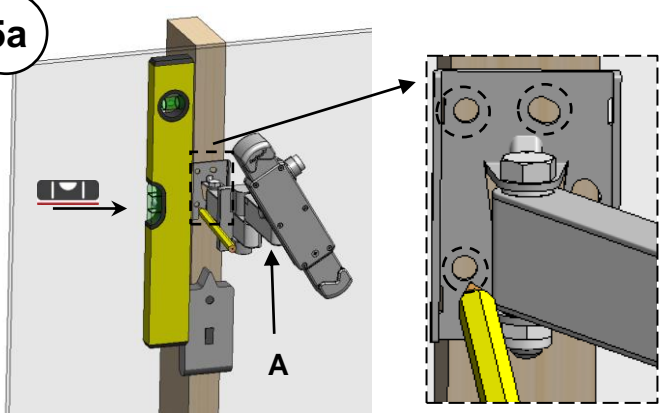
4a



4b

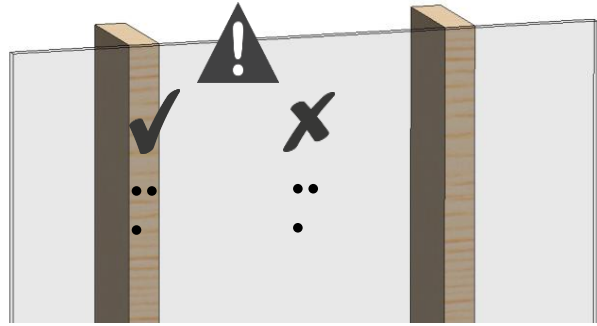


5a

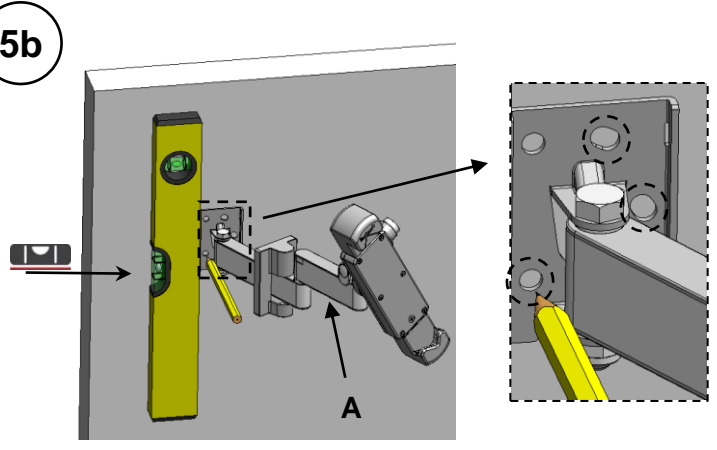


Use a Stud Finder

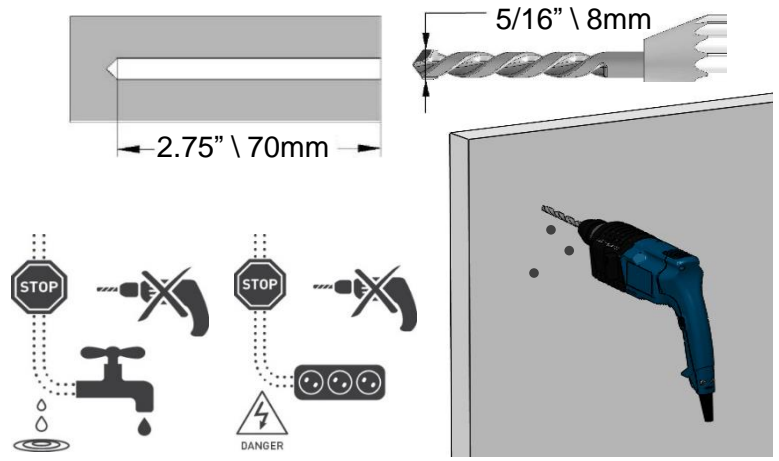
Make sure all holes are drilled inside the studs



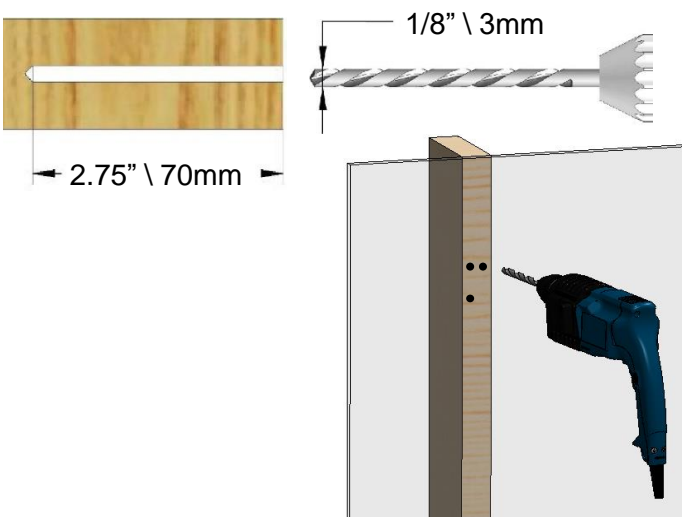
5b



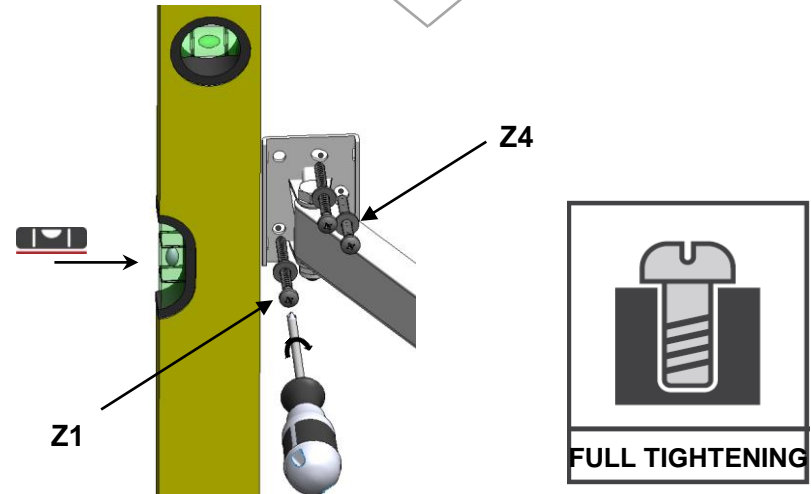
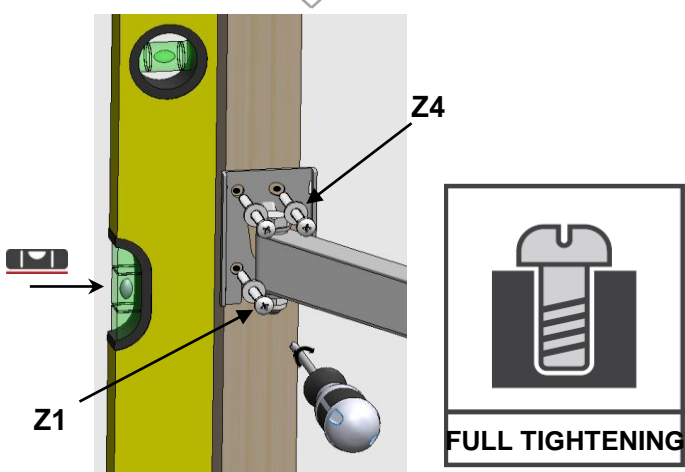
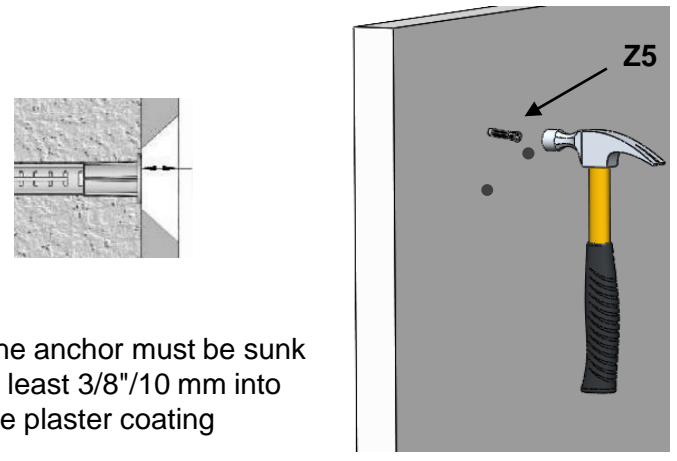
Drill with 5/16" \ 8 mm drill bit



Drill with 1/8" \ 3mm drill bit



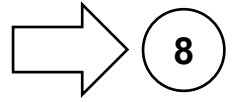
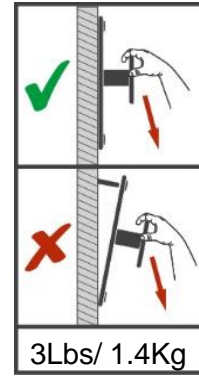
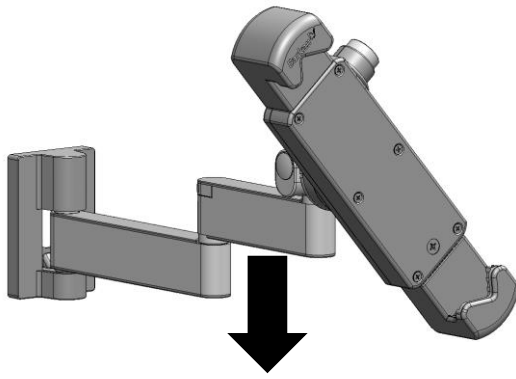
The anchor must be sunk at least 3/8"/10 mm into the plaster coating



6

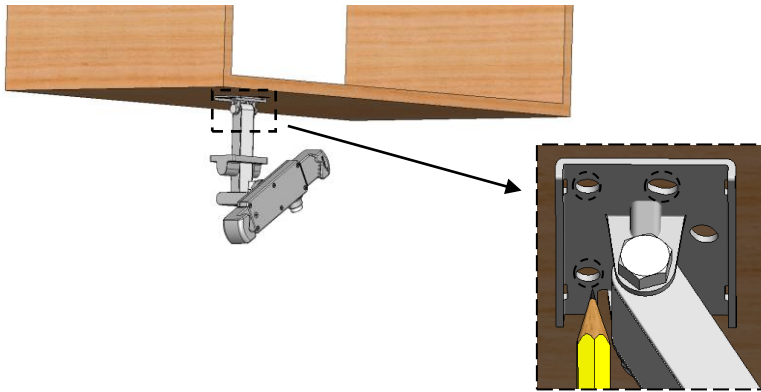
Weight test

Apply force on the upper part of the mount and make sure it is well cor

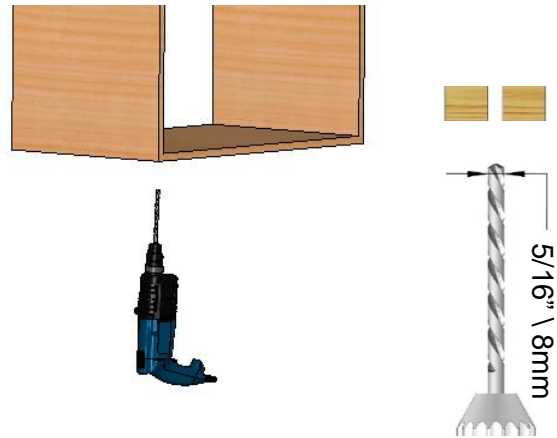


7 Installation on the underside of a cabinet

Position the mount on the bottom of the cabinet and mark the holes according to the desired placement

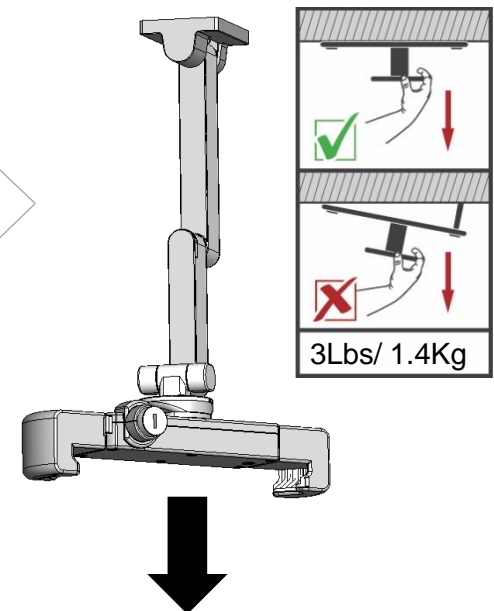
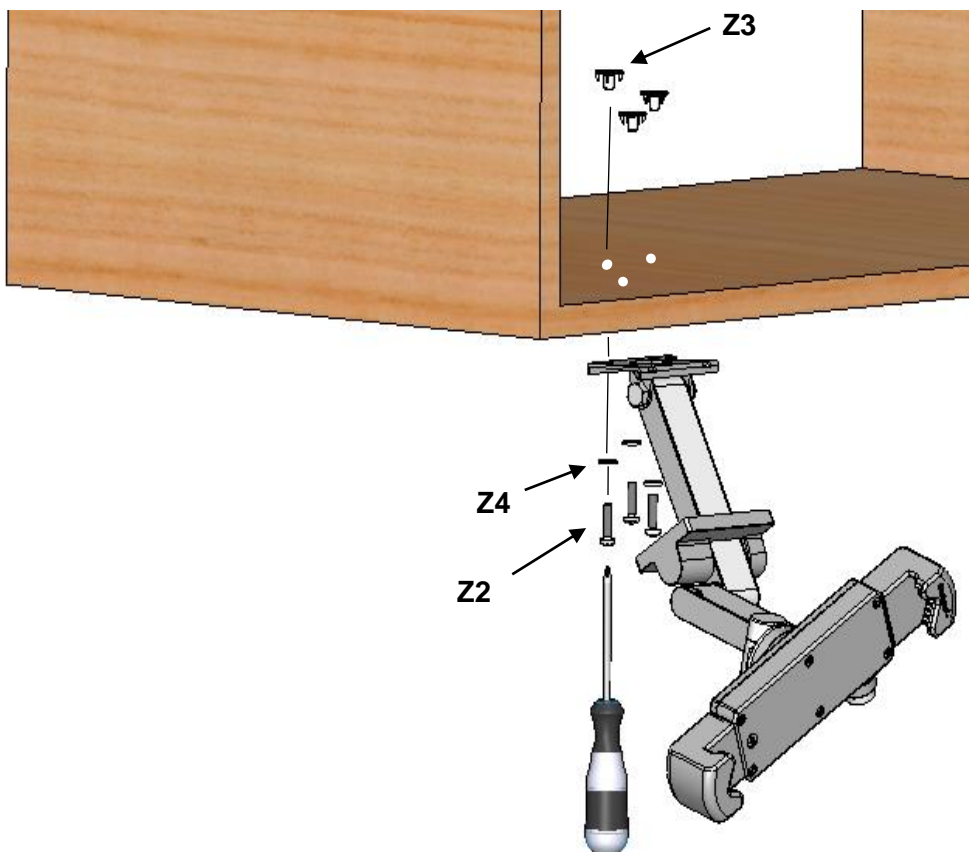


Drill with 5/16" \ 8mm drill bit



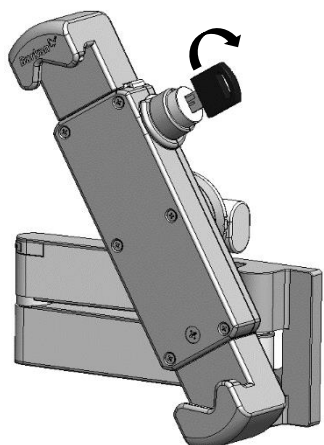
Weight test

Apply force on the tablet clamp and make sure it is well connected

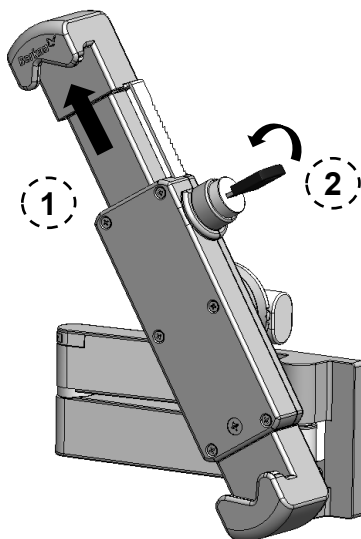


8 Locking

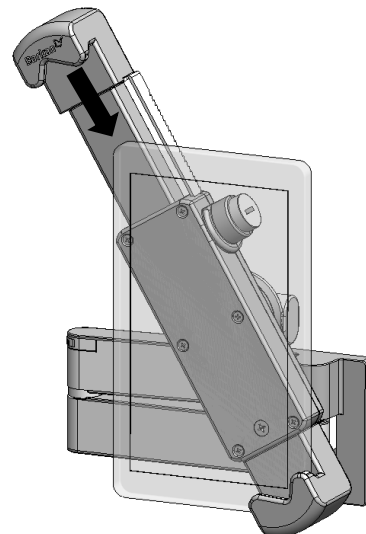
Unlock the clamp



Open the clamp, relock it and take out the key

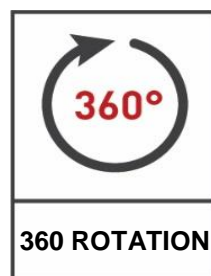
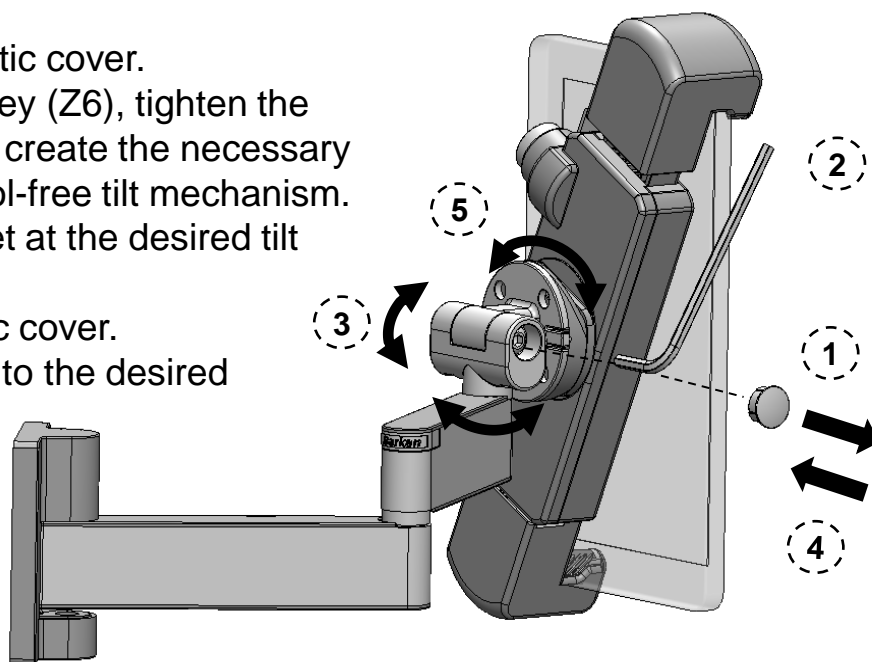


Close the clamp on your device



9 Tilt adjustment

1. Remove the plastic cover.
2. Using the Allen key (Z6), tighten the screw in order to create the necessary friction for the tool-free tilt mechanism.
3. Position the tablet at the desired tilt angle.
4. Return the plastic cover.
5. Rotate the tablet to the desired position.



10 Maintenance

1. Remove the tablet.
2. Remove the plastic cover.
3. Tighten the nut.
4. Return the plastic cover.

